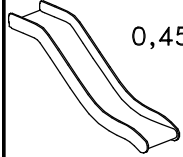

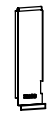
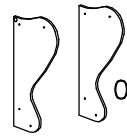



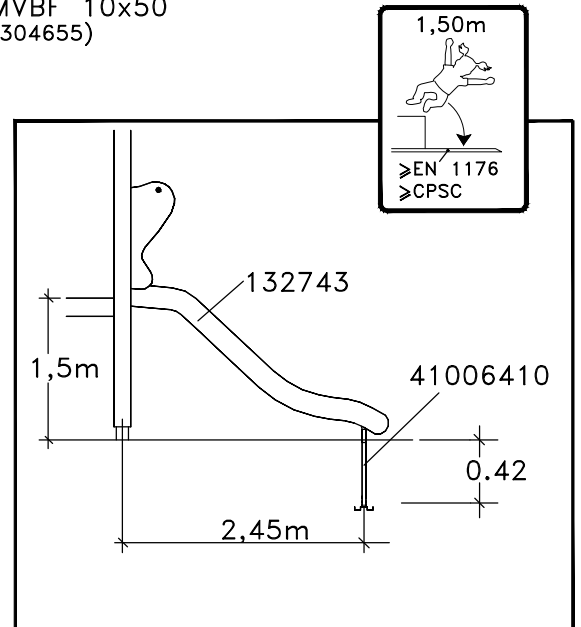
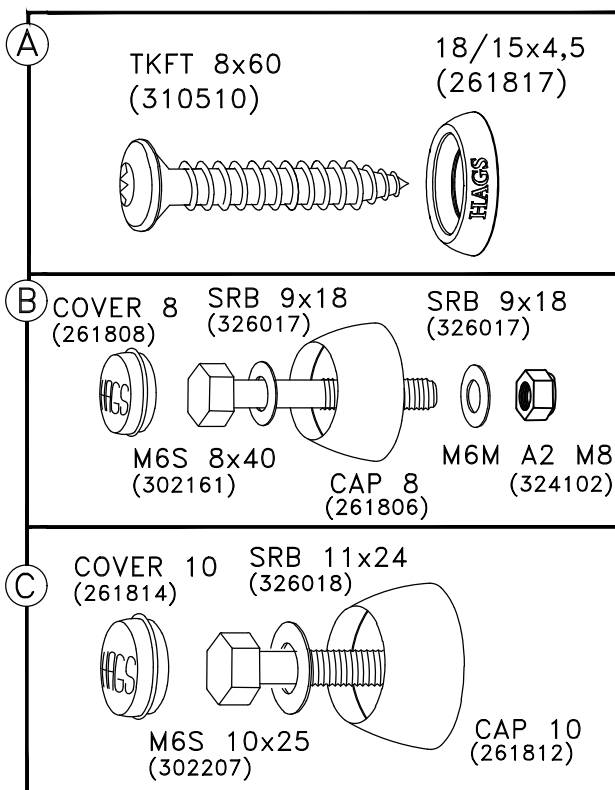


TYPE	HAGS.NO
 0,45x3,2m	132743
 0,89m	410601
 Right pannel is marked with punched HAGS logo! 0,2x0,74m	135020-02 135021-02
 0,37x0,71m	135010-01 135011-01 135012-01 135013-01
 Ø25mm L=0,45m	153406
 L=0.64m	41006410
 0,62m	610071-02



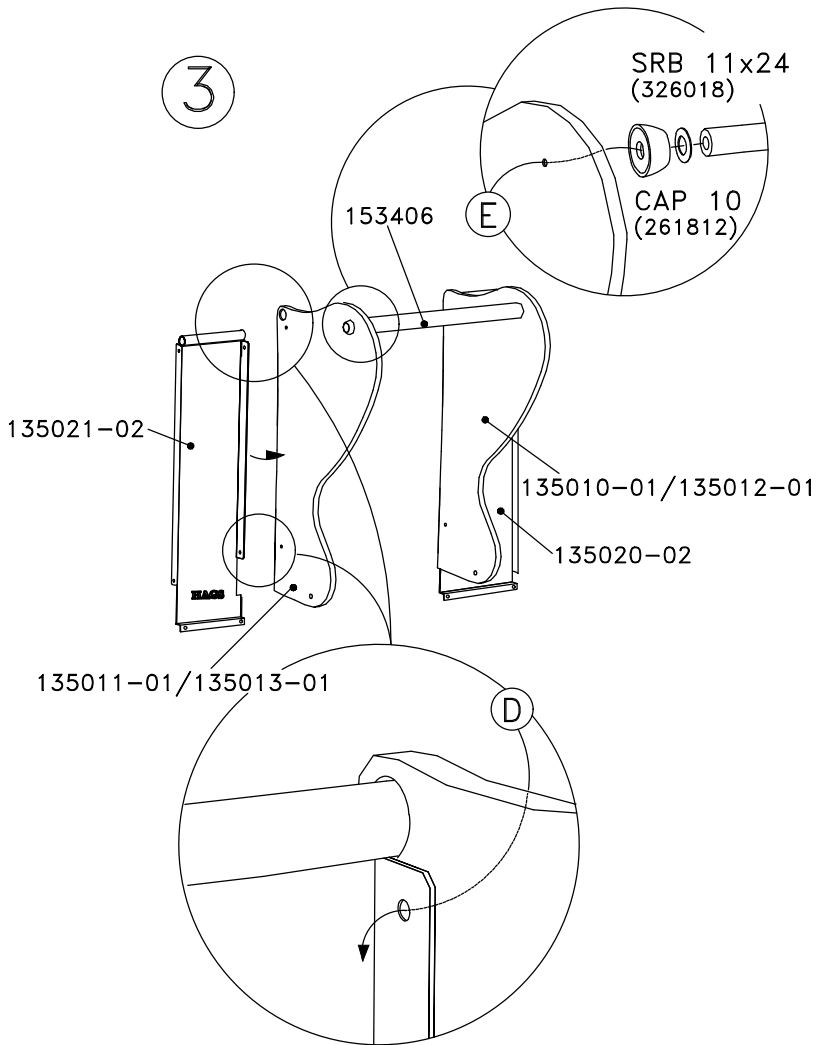
HAGS ANEBY, SWEDEN
+46(0)380-47300
www.hags.com

HPL Slide
423 213
1(2)

TJ

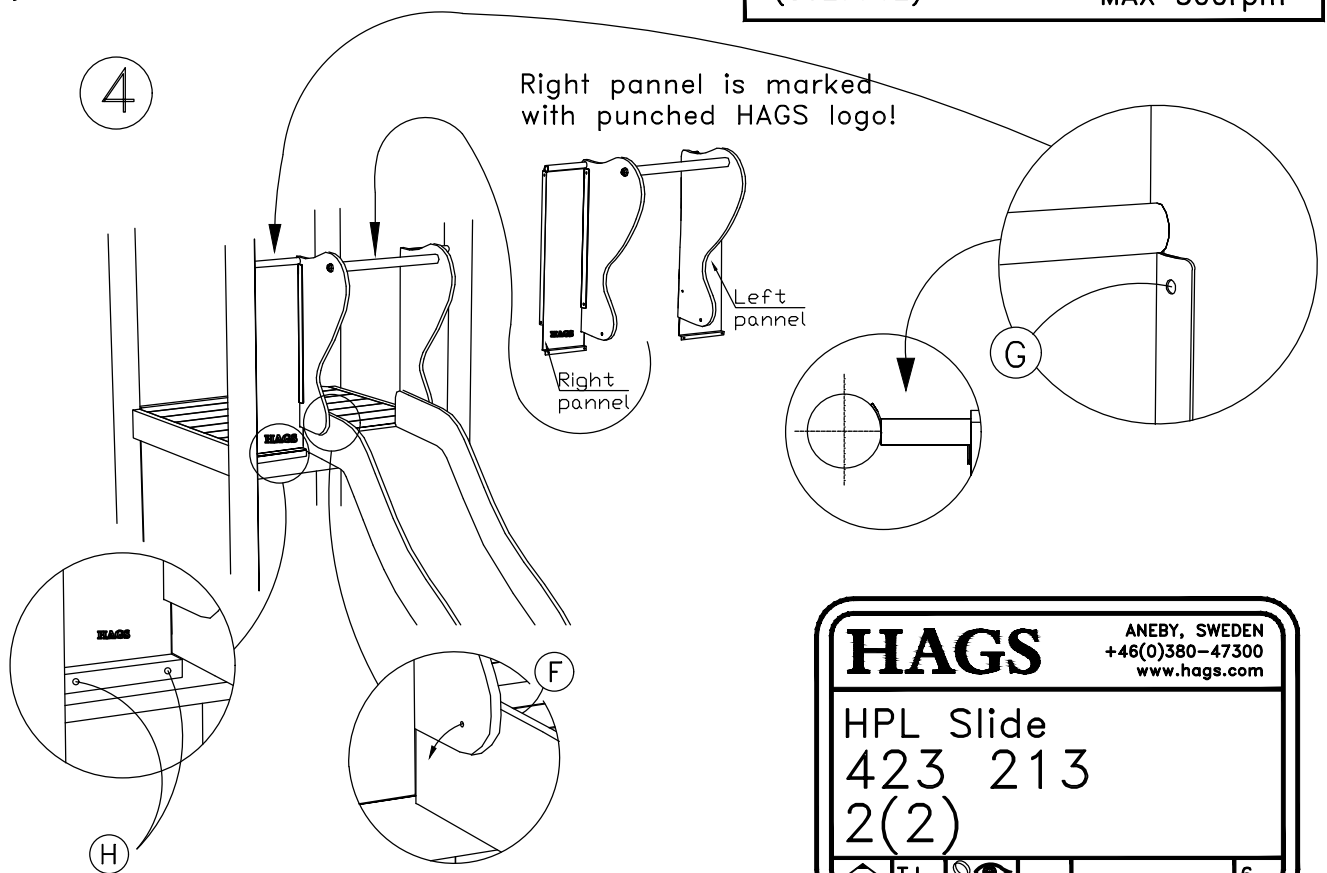
6

3



D	MVBF 6x25 (304552)	M6M A2 M6 (324101)	COVER 6 (261801)
E	COVER 8 (261808)	SRB 9x18 (326017)	M6S 8x55 (302164)
F	MVBF 8x45 (304605)	COVER 8 (261808)	SRB 9x18 (326017)
G	TKFT 6x40 (311100)	15/7x3 (261819)	
H	Screw thr-forming M6x25-8.8-(ISO7380) (8027762)	Ø5,5 250 MAX 500rpm	

4



HAGS		ANEBY, SWEDEN	
		+46(0)380-47300	
		www.hags.com	
HPL Slide			
423 213			
2(2)			
	TJ		6