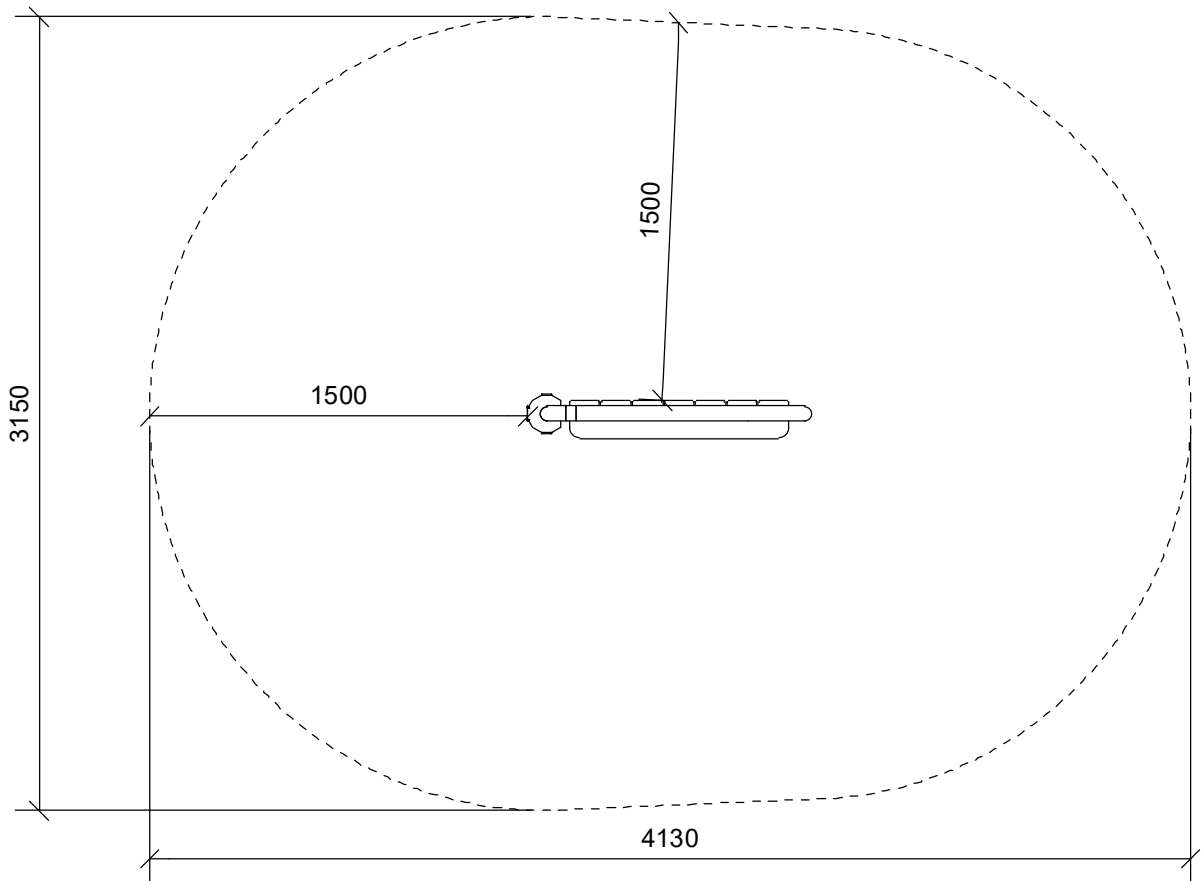
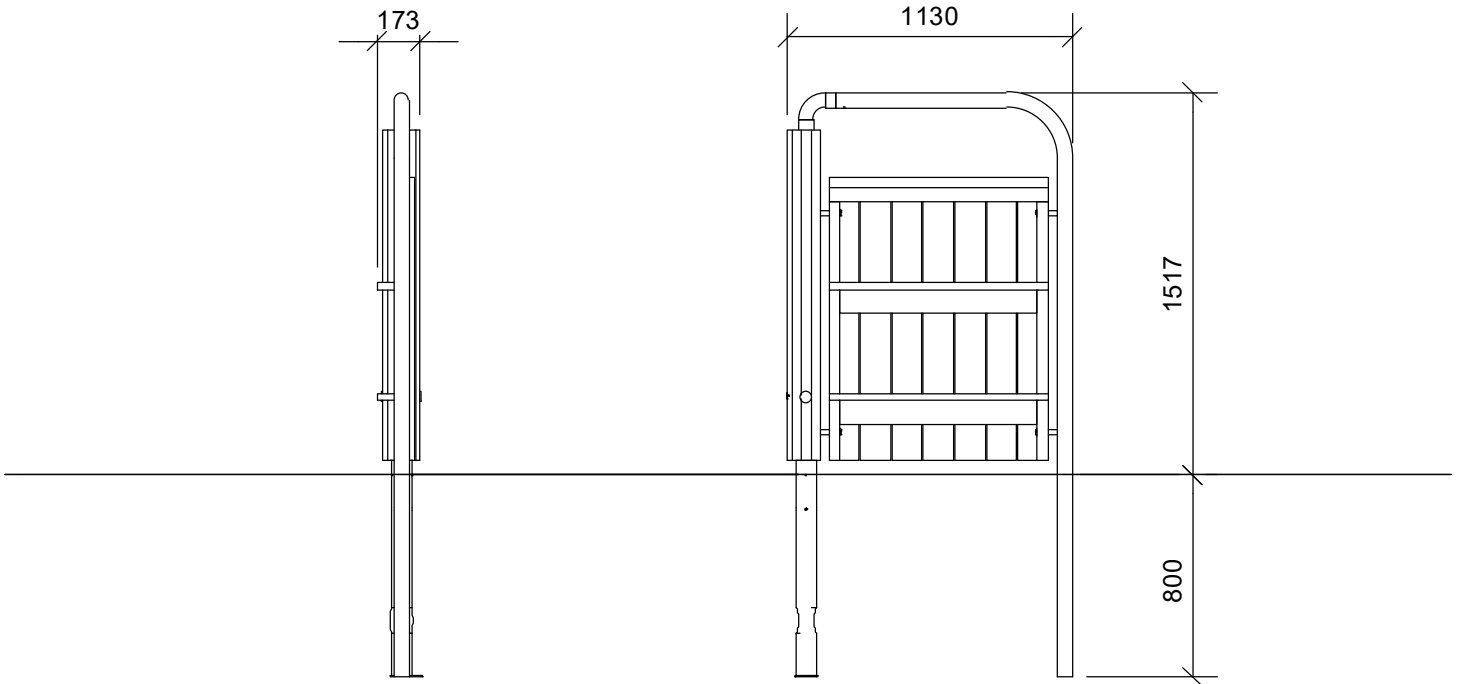


(1/30)



2



3,5h



11m<sup>2</sup>



4,2x3,2x1,6 m



~69 kg



>C25

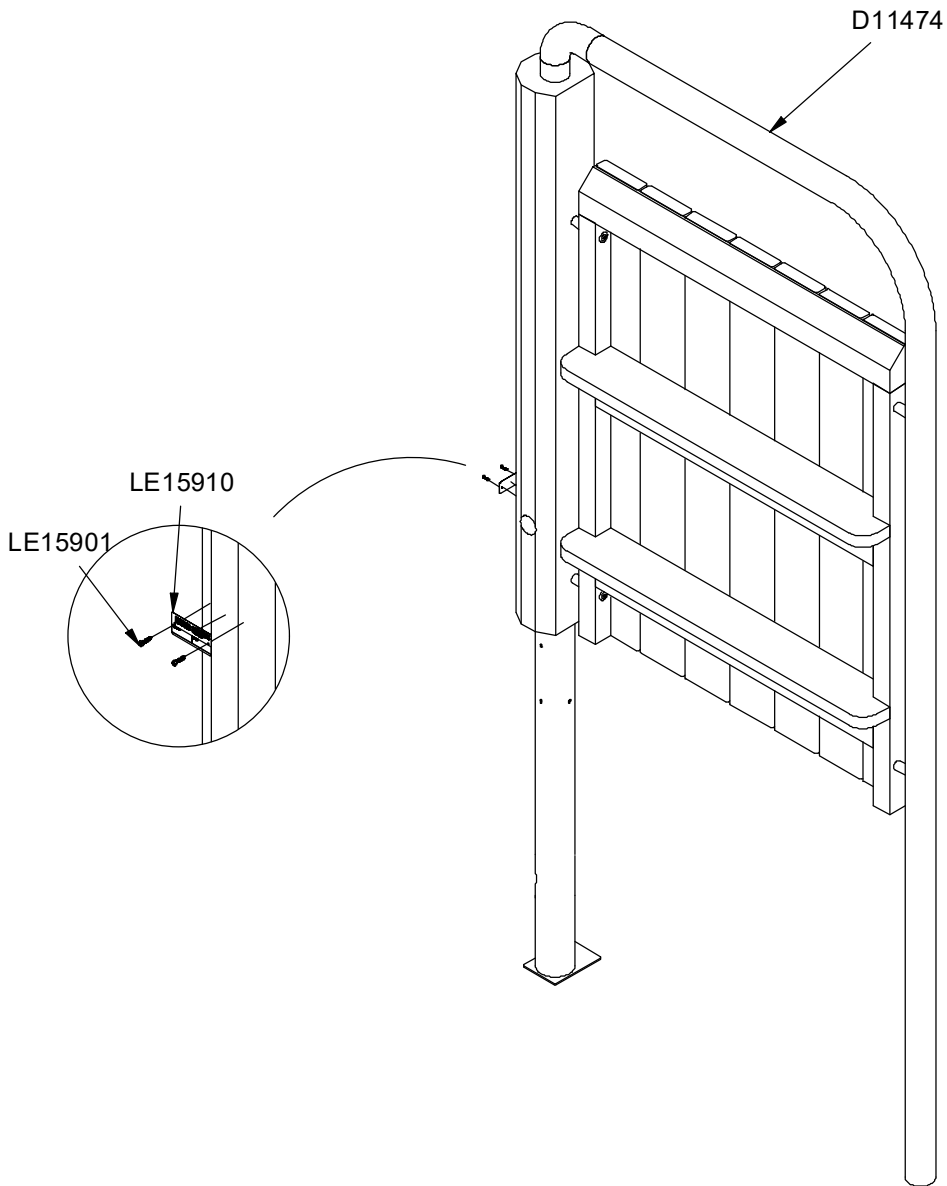
~0,07m<sup>3</sup>



240x114x16 cm

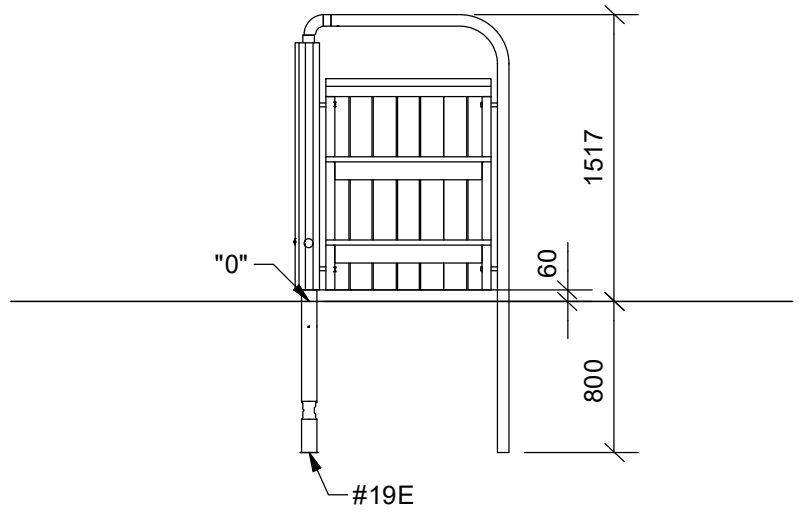


69 kg



| Parts List |         |                 |
|------------|---------|-----------------|
| QTY        | PART NO | DESCRIP.        |
| 1          | D11474  | Role play No. 2 |
| 2          | LE15901 | 3x16, PH        |
| 1          | LE15910 | Name tag        |

(1/40)



(1/30)

